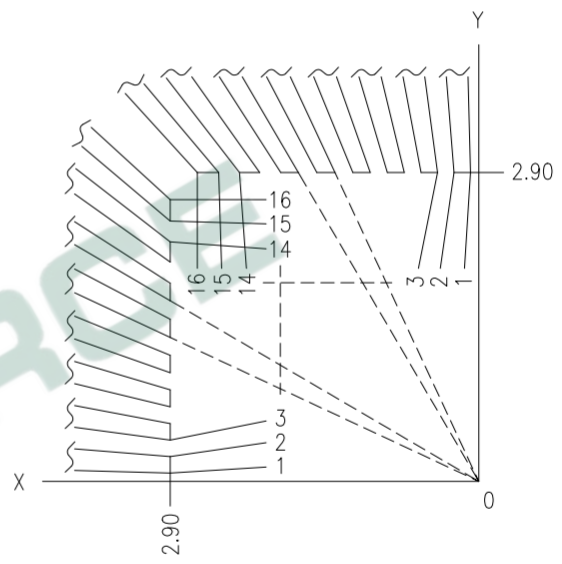



N .	ANGLE
1	1.530 °
2	4.580 °
3	7.600 °
4	10.600 °
5	13.570 °
6	16.500 °
7	19.380 °
8	22.210 °
9	24.990 °
10	27.690 °
11	30.330 °
12	32.690 °
13	35.380 °
14	37.790 °
15	40.130 °
16	42.380 °



NOTES
 1.W/B AREA FROM LEAD TIP TO BE 0.38(mm)MIN.
 2.HERMETICITY SHALL BE FREE

 上海季丰电子科技有限公司 GIGA FORCE ELECTRONICS CO.,Limited				
制图	王磊	Title	QFP64L (10X10) -P0.5	
核准	何桂港	POD No	POD-SHJF-65	
日期	2022. 3. 6	DIMENSIONS IN:	mm	Rev :A